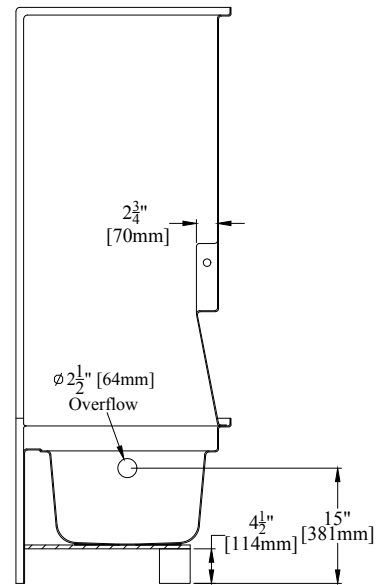
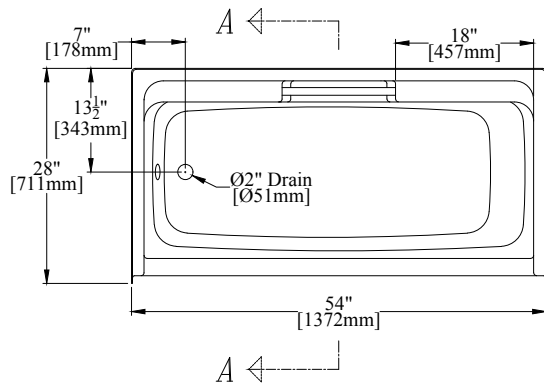


ELEVATION



SECTION "A-A"



PLAN

54" [1372mm] 2-Piece Tub/Shower w/ Molded Shelving

Left Hand Version (8403LXT) Shown

PRODUCT SPECIFICATIONS:

- * Product complies with NAHB, HUD UM-73A, and ANSI-Z124.1.2.
- * Product has a Class B fire rating as determined by ASTM E-84 test method.
- * Reinforced & slip resistant floor.
- * Sufficient drain clearance to accommodate above the floor plumbing.
- * Integral 1" [25mm] nailing flange.
- * Factory drilled 2 1/2" [64mm] overflow.
- * Factory installed 1" [25mm] clear acrylic towel bar. (not included on the MP version (MP8403LX or MP8403LX) of this product.)
- * Door Opening: W-50 3/4" [1289mm]
 H-56 1/4" [1429mm]
- * Bathwell Dimensions (At Top): W-48 1/2" [1232mm]
 D-20 1/4" [514mm]
 H-12" [305mm]
- * Bathwell Dimensions (At Bottom): W-42 1/2" [1080mm]
 D-16" [406mm]
- * Bathwell Capacity (At Overflow): 33 Gal [125L]
- * Water Level (At Overflow): 8 1/2" [216mm]
- * All dimensions +/- 1/2" [12.8mm]
- * This unit is available without an overflow (8403LXTM or 8403RXTM)
- * Clarion Bathware reserves the right to change design and/or dimensions.
- * Dimensions are the same for RE, MP, and all other versions of this model.

8403LXT or 8403RXT

54" [1372mm] 2-Piece Tub/Shower w/ Molded Shelving

Clarion
 BATHWARE
 44 Amsler Ave.
 Shippenville, PA 16254

Phone: (814) 226-5374
 Toll Free: (800) 576-9228
 Fax: (814) 226-0730
 www.clarionbathware.com

Signatures For Approval:

Customer: _____
 Arch./Engr: _____

Date: _____

Quote #: _____
 Job Name: _____

Dwg. #
 8403LXT or RXT
 -CUT

Dwg. By: NMH
 DATE: 4/4/2017

***** IMPORTANT NOTICE *****

Clarion Bathware reserves the right to change the design and/or dimensions of its products at any time. This drawing may have been updated since this publication was issued. Before placing an order for any product, refer to our website at www.clarionbathware.com to obtain the most current drawings for any products that you wish to purchase. Compare the date of revision of the drawing that you have with the one on the drawing on our website. If you do not have internet access, please call your sales representative or Clarion Bathware's sales department at 1-800-576-9228.